

MIL-STD-2161A(AS)

1. MARKING	2. LOCATION	3. SIZE	4. COLOR NO/CODE
A. NAVY/MARINES	Lower Vertical Stabilizer	12"/10"	IAW Para. 5.2.3 & Figure A-15
B. Model Designation, Acft BUNO	Aft Fuselage - Side	2" 4"	IAW Para. 5.2.3 & Figure A-15
C. National Star	Aft Fuselage Upper L.H. Wing Lower R.H. Wing	12" 12" 12"	IAW Para. 5.2.3 & Figure A-14
D. Call Numbers	Vertical Stabilizer	10"	IAW Para. 5.2.3
E. Intake Warning	Jet Engine Nacelles	See Para. 5.2.2.10.1	IAW Para. 5.2.3 & Figure A-15
F. Beware of Blast	Side of Engine Exhaust	7"	IAW Para. 5.2.3
G. Arresting Hook Marking	Aft Fuselage	14"	IAW Para. 5.2.3 & Figure A-14
H. Ejection Seat Warning	See Figure A-11	8"	IAW Para. 5.2.3 & Figure A-16
I. Unit Identifier	Vertical Stabilizer	12"	IAW Para. 5.2.3
J. Unit Aircraft Numbers	Fwd. Fuselage	12"	IAW Para. 5.2.3
K. Walkway	Wings Next to Fuselage	N/A	IAW Para. 5.1.13
L. Rescue Arrow	R.H. & L.H. Side of Canopy	24"	IAW Para. 5.2.3 & Figure A-14

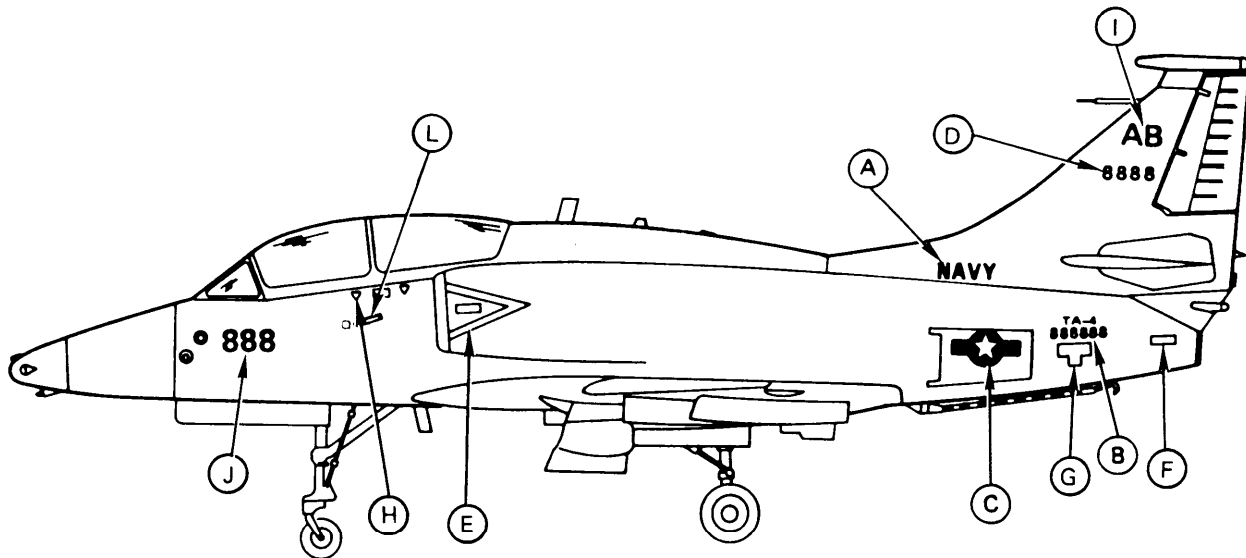


FIGURE C-2. A/TA-4 aircraft marking (tactical).

MIL-STD-2161A(AS)

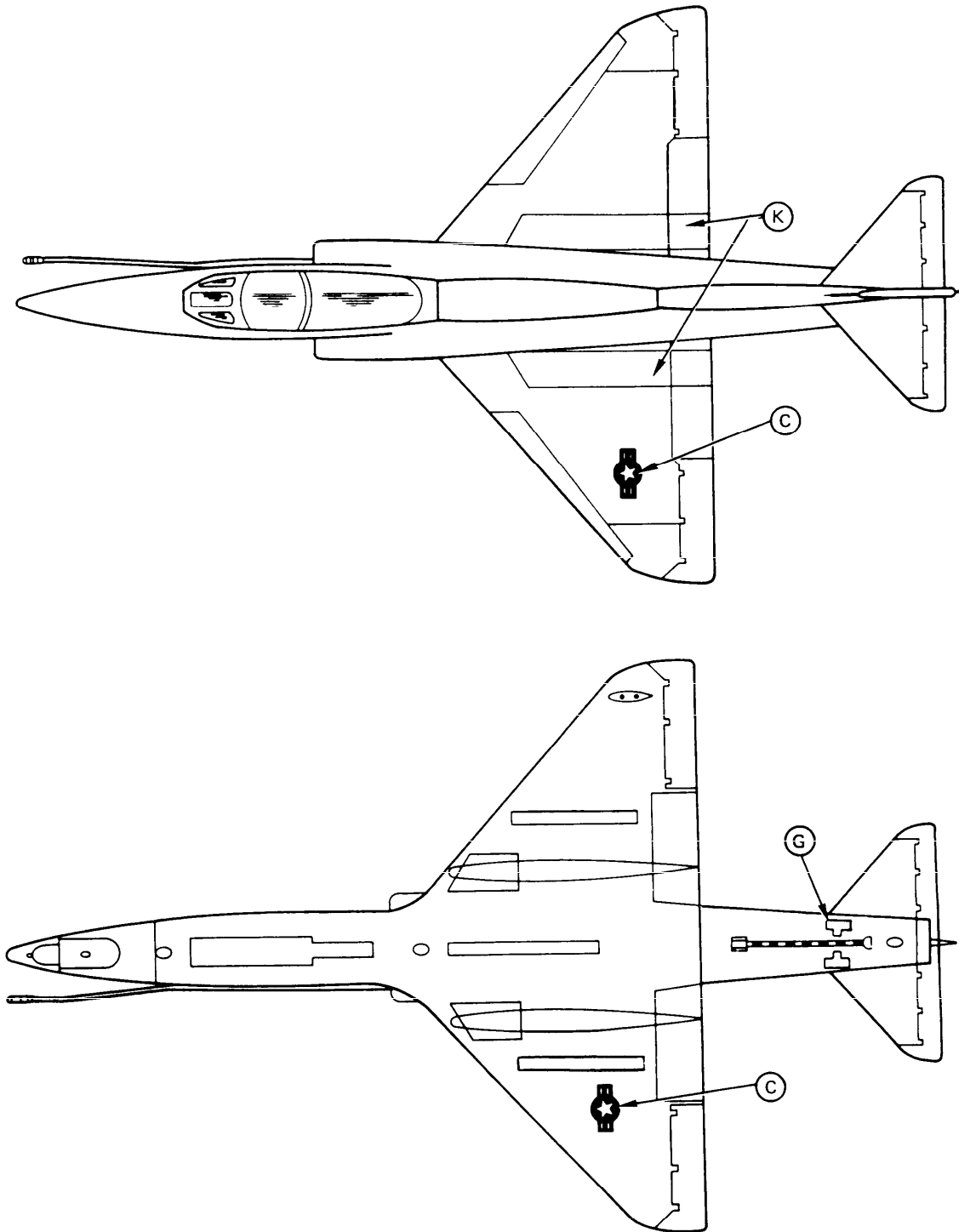


FIGURE C-2. A/TA-4 aircraft marking (tactical) - Continued.

MIL-STD-2161A(AS)

1. MARKING	2. LOCATION	3. SIZE	4. COLOR NO/CODE
A. NAVY/MARINES	Lower Vertical Stabilizer	12"	17038
B. Model Designation, Acft BUNO	Aft Fuselage	2" 4"	17038
C. National Star	Aft Fuselage Upper L.H. Wing Lower R.H. Wing	30" 30" 30"	15044/11136/ 17925
D. Call Numbers	Vertical Stabilizer	12"	17038
E. Intake Warning	Jet Engine Nacelles	See Para. 5.2.2.10.11	11136/17925
F. Beware of Blast	Side of Engine Exhaust	7"	IAW Para. 5.2.2.10.2
G. Arresting Hook Marking	See Figure A-14	4"	17925/17038
H. Ejection Seat Warning	Under Canopy Rail See Figure A-11	8"	11136/17038
I. Conspicuity Markings	See Para. 5.1.1.1	N/A	12197
J. Unit Identifier	Vertical Stabilizer Lower R.H. Wing Upper R.H. Wing	16" 20"	17038
K. Unit Aircraft Numbers	Fwd. Fuselage Upper R.H. Wing Lower L.H. Wing	12" 16" 16"	17038
L. Walkway	Wings Next to Fuselage	N/A	17038
M. Rescue Arrow	R.H. & L.H. Side of Canopy	24"	17038/13538
N. Antiglare	Forward of Cockpit	N/A	37038

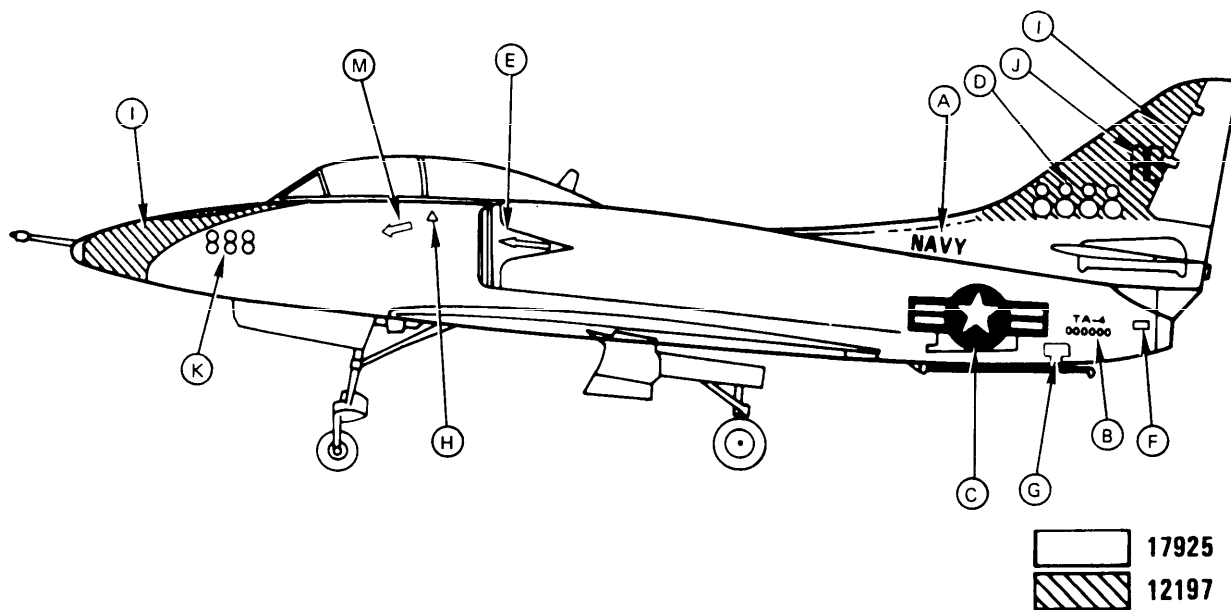


FIGURE C-3. A/TA-4 aircraft marking (high visibility).

MIL-STD-2161A(AS)

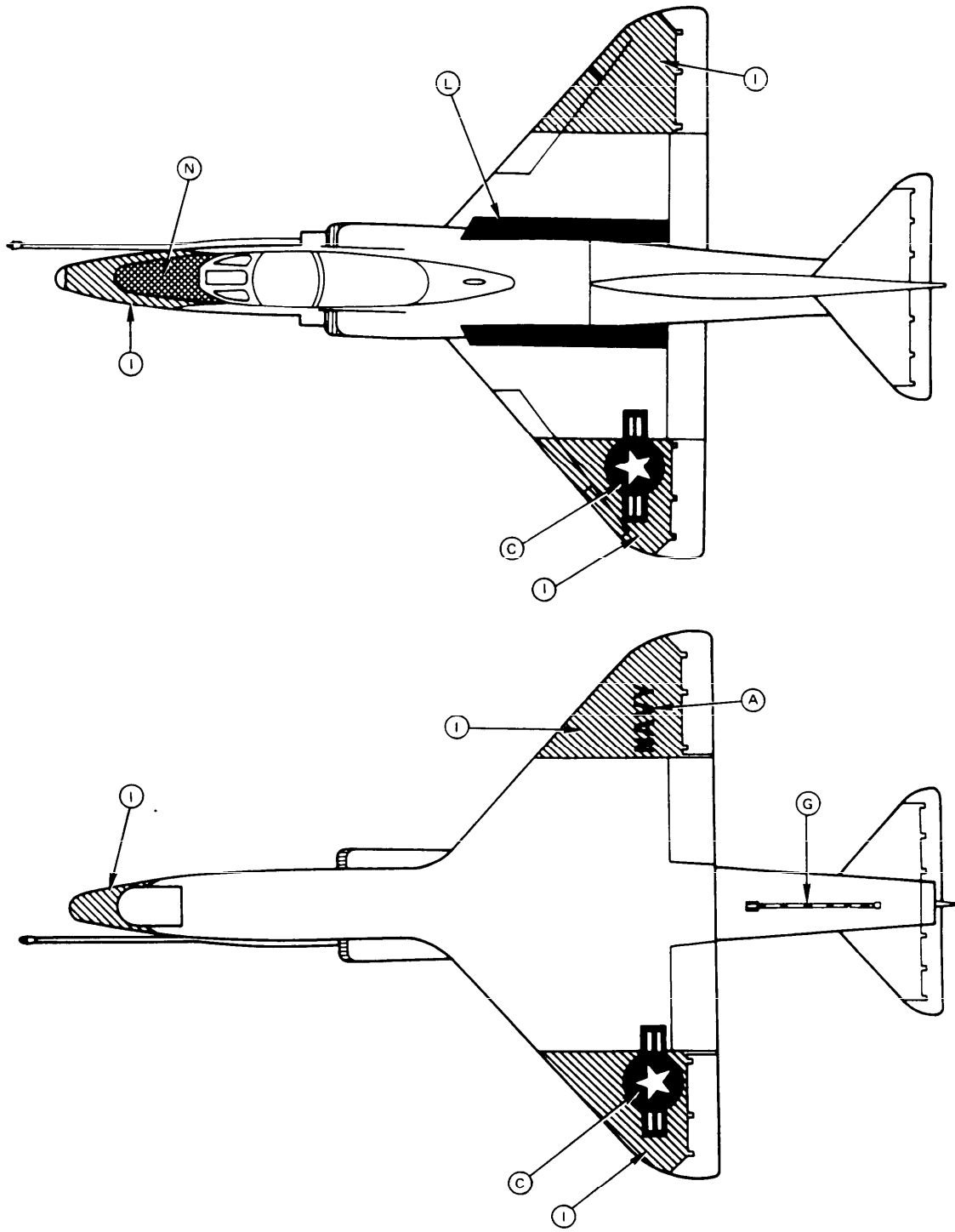


FIGURE C-3. A/TA-4 aircraft marking (high visibility) - Continued.

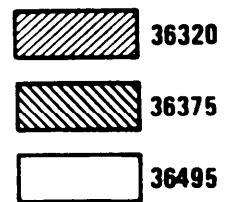
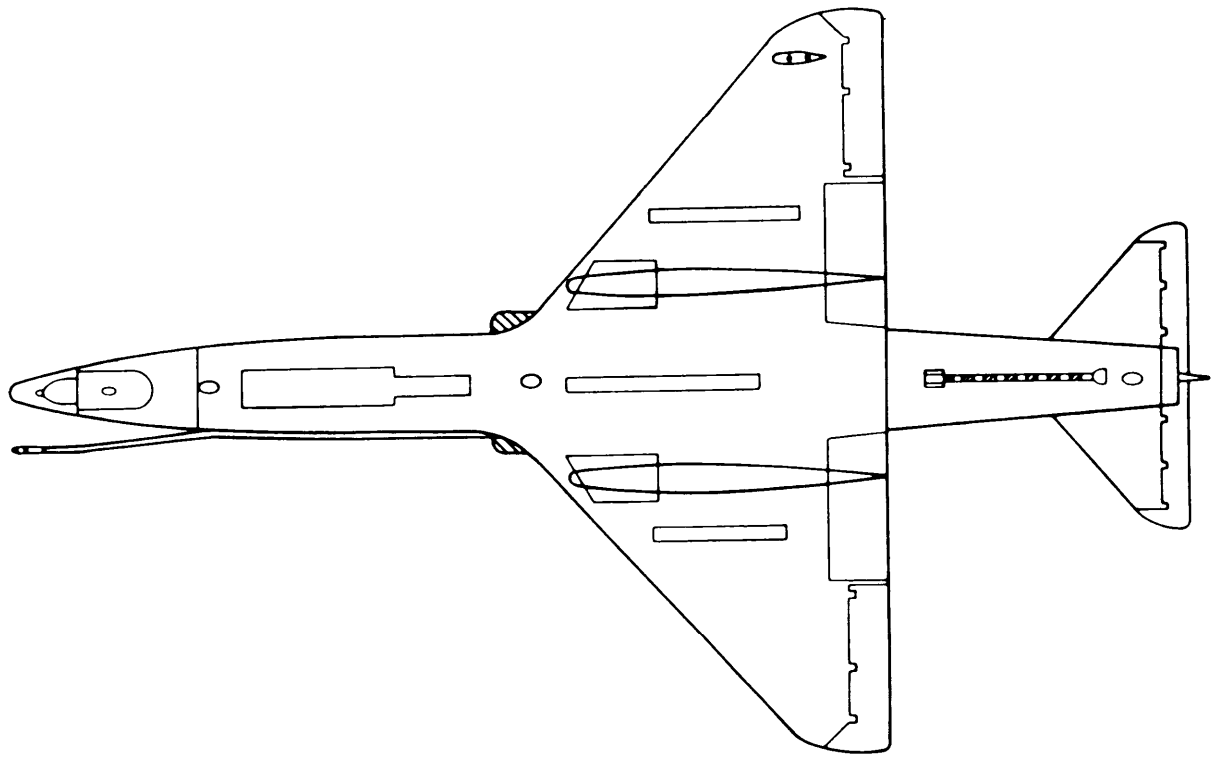


FIGURE E-1. A/TA-4 tactical paint scheme.

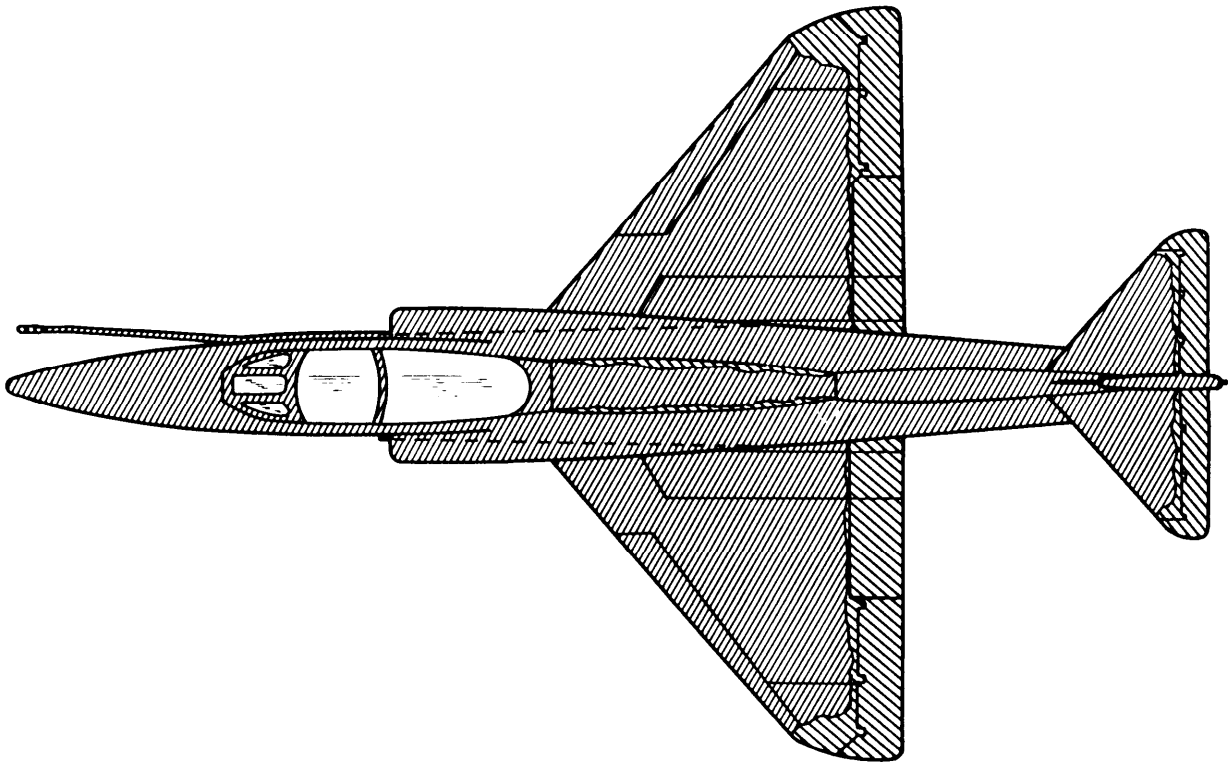
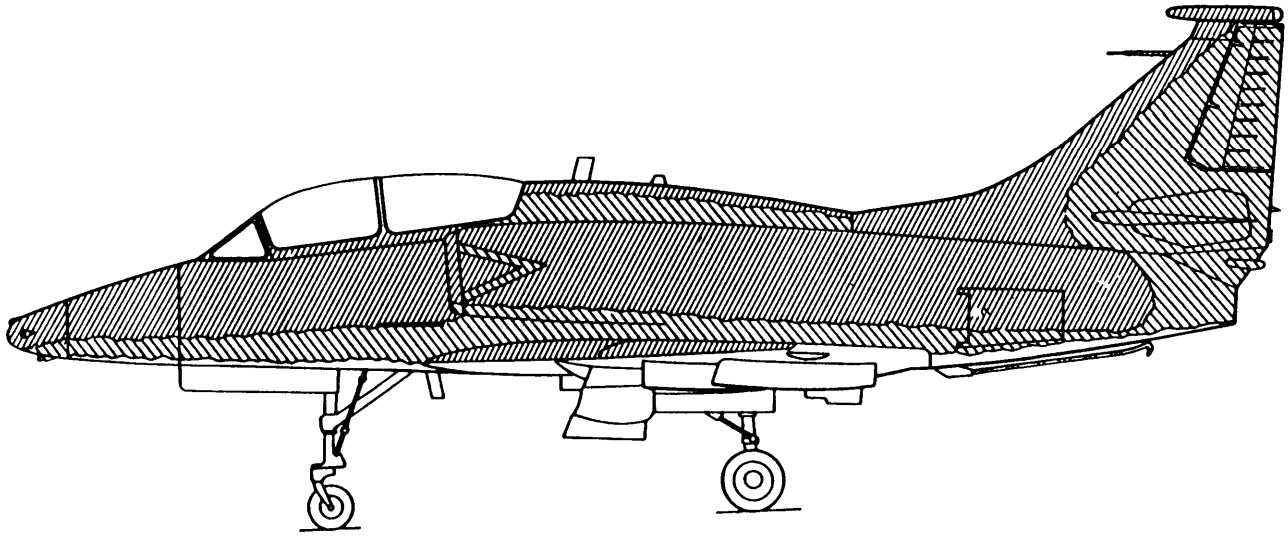


FIGURE E-1. A/TA-4 tactical paint scheme - Continued.